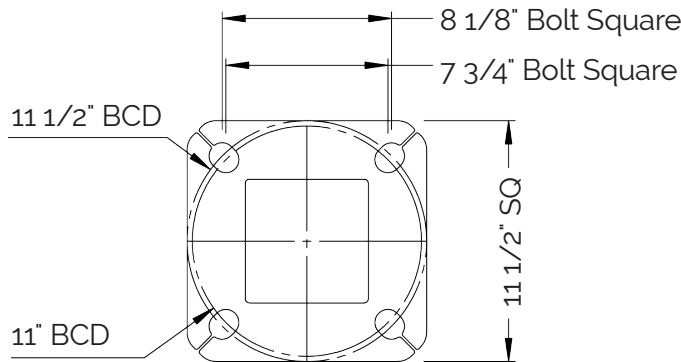
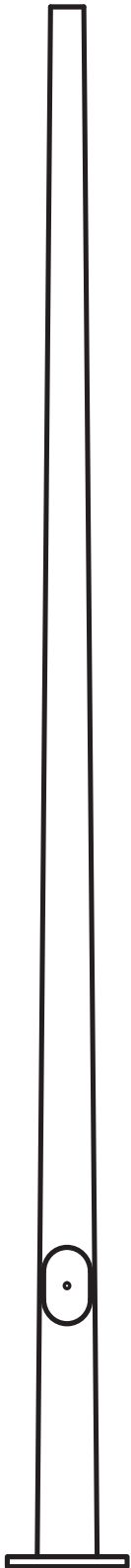
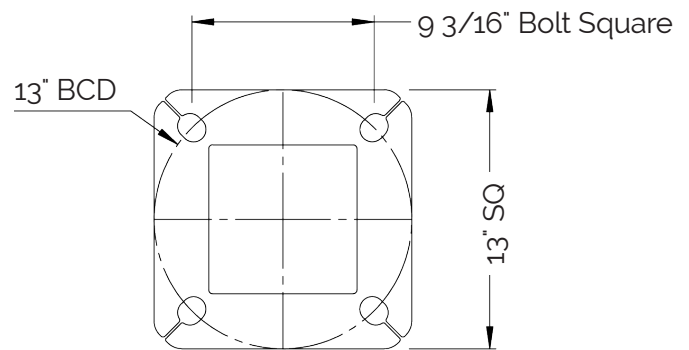




Square Tapered Steel Pole



STS Type A
(1" Anchor Bolts)



STS Type B
(1" Anchor Bolts)

- Hand hole ring mounting height is 12" to centre and comes with (4"x7") hand hole cover.
- Wind speeds (mph) in the table denote the maximum wind gust speed at the project site (i.e. gust factor included).
- All poles are supplied with nut covers, shims and top plastic cap.
- Maximum EPA rating includes fixture(s) and supporting arm(s) and is for standard pole installation on concrete bases/footings.
- Pole designs based on AASHTO Standard Specifications for Structural Supports for Highway Signs, Luminaires, and Traffic Signals.
- Contact Sales Team for custom sizes and/or applications.
- Specific information and details may be subject to change without notice.
- Please see Warranty and Terms & Conditions.



Square Tapered Steel Pole

CATALOGUE #		FIXTURE INFO
PROJECT NAME		
CITY		
PREPARED BY	DATE	
COMMENTS		
		QUANTITY
		EPA (sq.ft.)
		WEIGHT (lbs)

Catalogue #	Pole Height (ft)	Weight (lbs)	Anchor Bolt Diameter	Base Plate Type	Maximum EPA (sq.ft.)			
					80MPH	90MPH	100MPH	110MPH
STS12	12	125	1	A	45.0	35.5	28.5	23.0
STS16	16	160	1	A	36.0	28.5	22.5	18.0
STS20	20	196	1	A	31.0	24.0	18.5	14.5
STS25	25	259	1	B	25.5	19.0	14.5	11.0
STS30	30	317	1	B	20.5	15.5	11.5	8.5
STS35	35	541	1	B	32.0	24.5	18.5	14.5
STS40	40	586	1	B	25.0	19.0	14.0	10.0

Order Entry Info				
HEIGHT (ft)	MOUNTING TYPE (See Note 1)	FINISH TYPE	PC COLOUR	OPTIONS (Click descriptions to view product)
12	TOP TENON MOUNT TT2 - 2 3/8" x 4" tenon TT3 - 2 7/8" x 4" tenon	PC - Powder Coated GALV - Galvanized GALVPC - Galvanized and Powder Coated <i>For PC or GALVPC, please select Colour from next column</i>	WHT - White BLK - Black BZ - Bronze GRY - Grey CC - Custom Colour (RAL-) <i>(Additional charges may apply)</i> N - None	<input type="checkbox"/> DUPR - 1110 Box Provision (Festoon Box) <input type="checkbox"/> DUPRGFI - 1110 Box Provision c/w 15A 120V GFI Receptacle and Weatherproof Cover <input type="checkbox"/> HHSS - Hand Hole Security System <input type="checkbox"/> FBA1 - Flower Basket Arm One Side (See Note 2) <input type="checkbox"/> FBA2 - Flower Basket Arm Dual (See Note 2) <input type="checkbox"/> BA1 - Banner Arms One Side (See Note 3) <input type="checkbox"/> BA2 - Banner Arms Dual (See Note 3) <input type="checkbox"/> AB - Anchor Bolts <input type="checkbox"/> BH - Bullhorns <input type="checkbox"/> N - None
16				
20	SIDE TENON MOUNT <i>Dimensions: 2 3/8" dia. x 5" long</i> ST1 - Single Head ST2 - 2 Heads at 90° ST2B - 2 Heads at 180° ST3 - 3 Heads at 90° ST4 - 4 Heads at 90°	<i>For PC or GALVPC, please select Colour from next column</i>	<i>(Additional charges may apply)</i>	<input type="checkbox"/> DUPR - 1110 Box Provision (Festoon Box) <input type="checkbox"/> DUPRGFI - 1110 Box Provision c/w 15A 120V GFI Receptacle and Weatherproof Cover <input type="checkbox"/> HHSS - Hand Hole Security System <input type="checkbox"/> FBA1 - Flower Basket Arm One Side (See Note 2) <input type="checkbox"/> FBA2 - Flower Basket Arm Dual (See Note 2) <input type="checkbox"/> BA1 - Banner Arms One Side (See Note 3) <input type="checkbox"/> BA2 - Banner Arms Dual (See Note 3) <input type="checkbox"/> AB - Anchor Bolts <input type="checkbox"/> BH - Bullhorns <input type="checkbox"/> N - None
25				
30	DRILL PATTERN DP1 - Single Head DP2 - 2 Heads at 90° DP2B - 2 Heads at 180° DP3 - 3 Heads at 90° DP4 - 4 Heads at 90°	<i>For PC or GALVPC, please select Colour from next column</i>	<i>(Additional charges may apply)</i>	<input type="checkbox"/> DUPR - 1110 Box Provision (Festoon Box) <input type="checkbox"/> DUPRGFI - 1110 Box Provision c/w 15A 120V GFI Receptacle and Weatherproof Cover <input type="checkbox"/> HHSS - Hand Hole Security System <input type="checkbox"/> FBA1 - Flower Basket Arm One Side (See Note 2) <input type="checkbox"/> FBA2 - Flower Basket Arm Dual (See Note 2) <input type="checkbox"/> BA1 - Banner Arms One Side (See Note 3) <input type="checkbox"/> BA2 - Banner Arms Dual (See Note 3) <input type="checkbox"/> AB - Anchor Bolts <input type="checkbox"/> BH - Bullhorns <input type="checkbox"/> N - None
35				
40	N - None			
Pole Specs	Mounting	Finish Type	PC Colour	Options
STS				

Note 1: Please provide fixture cutsheet.

Note 2: Please provide basket weight, arm length and mounting height.

Note 3: Please provide banner size and mounting height.

Sample Catalogue #: STS20-ST1-GALVPC-BLK-HHSS-BA1

Reset Order Entry Form