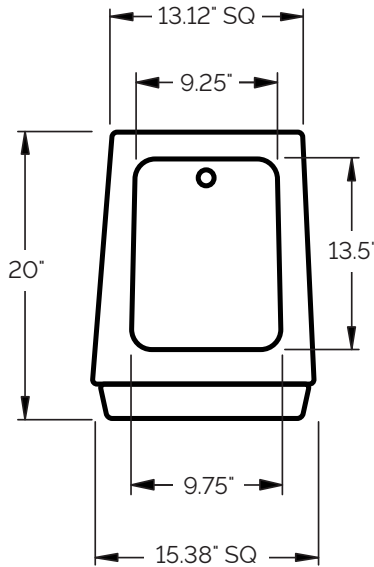




1975 AASHTO APPROVED

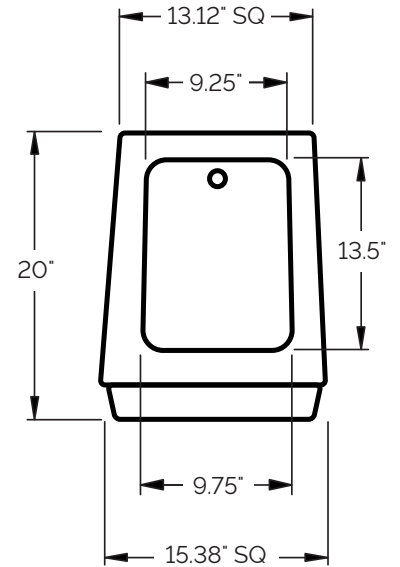
TB1-20

The base features 11" to 13" top bolt circle and 13" to 15" bottom bolt circle. Stands 20" in height. Base can be ordered with hinged door option or with plastic access door.



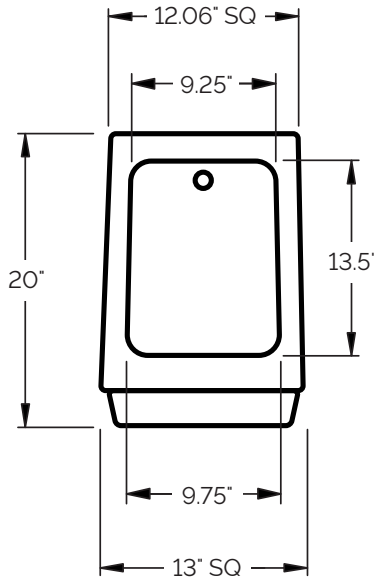
TB1-20 MODIFIED*

The base features 11" to 13" top bolt circle and 10 1/2" to 12 15/16" bottom bolt circle. Stands 20" in height. Base can be ordered with hinged door option or with plastic access door.



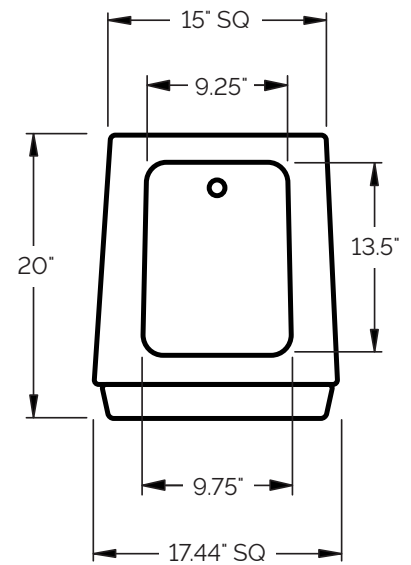
TB2-20

The base features 10" to 12" top bolt circle and 10" to 12" bottom bolt circle. Stands 20" in height. Base can be ordered with hinged door option or with plastic access door.



TB3-20

The base features 13" to 15 1/8" top bolt circle and 15" to 17 3/4" bottom bolt circle. Stands 20" in height. Base can be ordered with hinged door option or with plastic access door.



All Required Washers are Available

PART #	SIZE
AF-W3	2 1/2" dia. O.D. x 1 1/16" I.D. x 3/8" thick
AF-W1	2 3/4" dia. O.D. x 1 1/16" I.D. x 1/2" thick
AF-W2	2 3/4" dia. O.D. x 1 5/16" I.D. x 1/2" thick
AF-W4	2 3/4" x 4 1/4" x 5/8" thick rectangular (for 1 1/16" or 1 5/16 I.D.)

CAUTION

Before installation, user should consult with authorized distributor regarding user's proposed application, load requirements and installation methods. Failures can result from user's misapplication or improper installation.

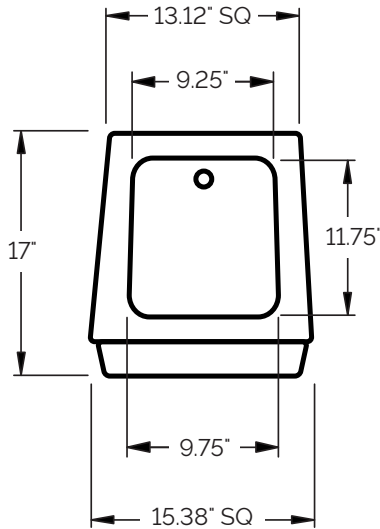
*** Special Stack Pack Washers Are Required**



1985 AASHTO APPROVED

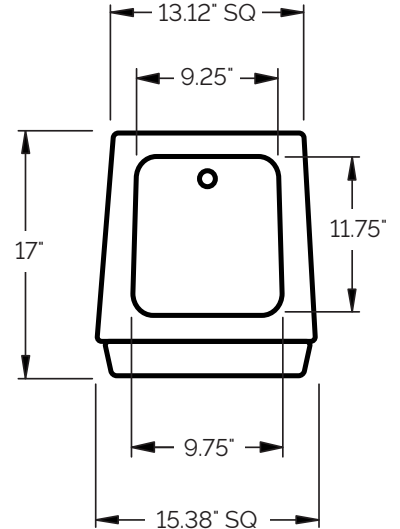
TB1-17

The base features 10 1/2" to 13 1/2" top bolt circle and 13" to 15" bottom bolt circle. Stands 17" in height. Base can be ordered with hinged door option or with plastic access door.



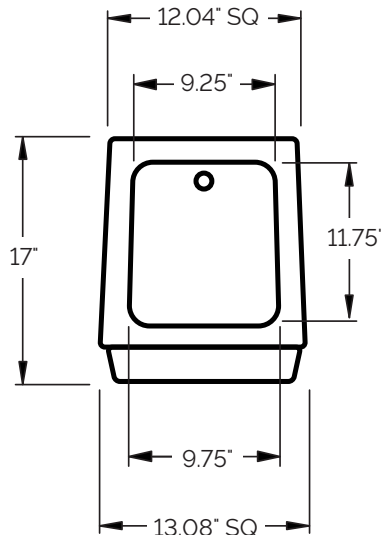
TB1-17 MODIFIED*

The base features 10 1/2" to 13 1/2" top bolt circle and 10 1/2" to 12 15/16" bottom bolt circle. Stands 17" in height. Base can be ordered with hinged door option or with plastic access door.



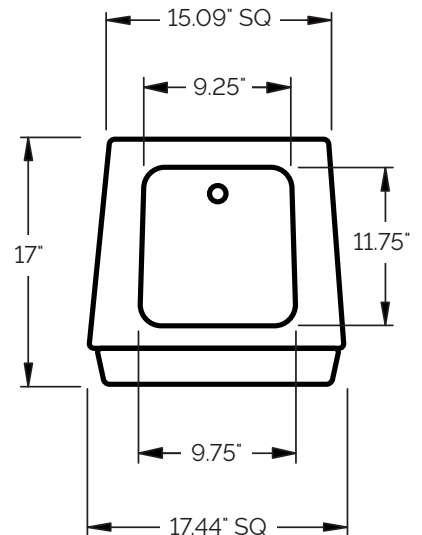
TB2-17

The base features 10" to 12" top bolt circle and 10" to 12" bottom bolt circle. Stands 17" in height. Base can be ordered with hinged door option or with plastic access door.



TB3-17

The base features 13" to 15 1/8" top bolt circle and 15" to 17 1/4" bottom bolt circle. Stands 17" in height. Base can be ordered with hinged door option or with plastic access door.



All Required Washers are Available

PART #	SIZE
AF-W3	2 1/2" dia. O.D. x 1 1/16" I.D. x 3/8" thick
AF-W1	2 3/4" dia. O.D. x 1 1/16" I.D. x 1/2" thick
AF-W2	2 3/4" dia. O.D. x 1 5/16" I.D. x 1/2" thick
AF-W4	2 3/4" x 4 1/4" x 5/8" thick rectangular (for 1 1/16" or 1 5/16 I.D.)

CAUTION

Before installation, user should consult with authorized distributor regarding user's proposed application, load requirements and installation methods. Failures can result from user's misapplication or improper installation.

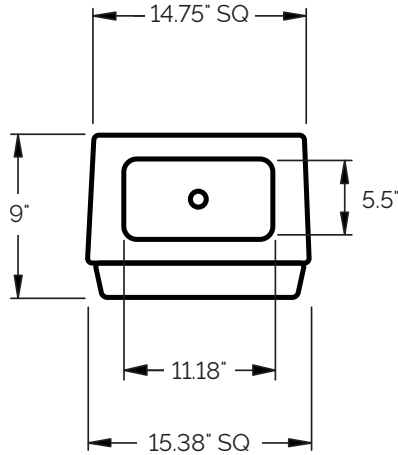
*** Special Stack Pack Washers Are Required**



1985 AASHTO APPROVED

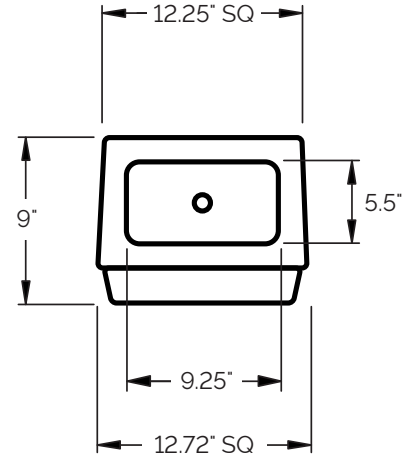
TB5-9

The base features 14 1/2" to 15" top bolt circle and 13" to 15" bottom bolt circle. Stands 9" in height.



TB6-9

The base features 10 1/2" to 12" top bolt circle and 10" to 12" bottom bolt circle. Stands 9" in height.

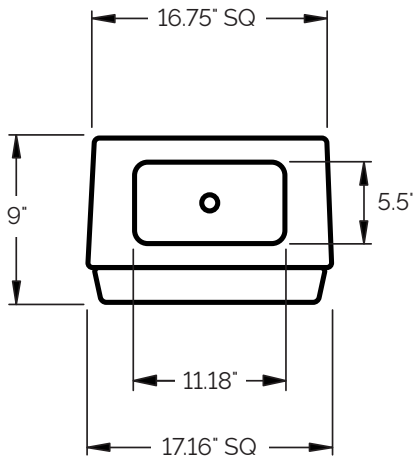


15.09" SQ

TB7-9

The base features 16" top bolt circle and 15" to 17 1/4" bottom bolt circle. Stands 9" in height.

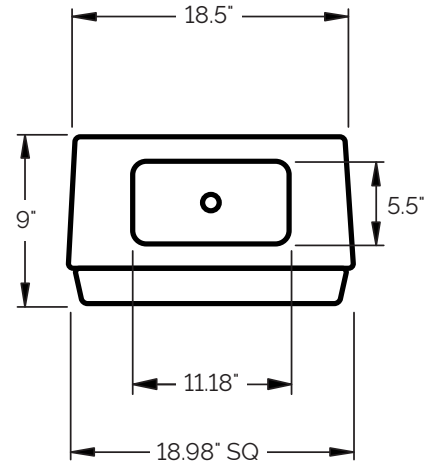
NOT AASHTO APPROVED



TB8-9

The base features 16" to 18" top bolt circle and 16" to 21" bottom bolt circle. Stands 9" in height.

NOT AASHTO APPROVED



All Required Washers are Available

PART #	SIZE
AF-W3	2 1/2" dia. O.D. x 1 1/16" I.D. x 3/8" thick
AF-W1	2 3/4" dia. O.D. x 1 1/16" I.D. x 1/2" thick
AF-W2	2 3/4" dia. O.D. x 1 5/16" I.D. x 1/2" thick
AF-W4	2 3/4" x 4 1/4" x 5/8" thick rectangular (for 1 1/16" or 1 5/16 I.D.)

CAUTION

Before installation, user should consult with authorized distributor regarding user's proposed application, load requirements and installation methods. Failures can result from user's misapplication or improper installation.

*** Special Stack Pack Washers Are Required**