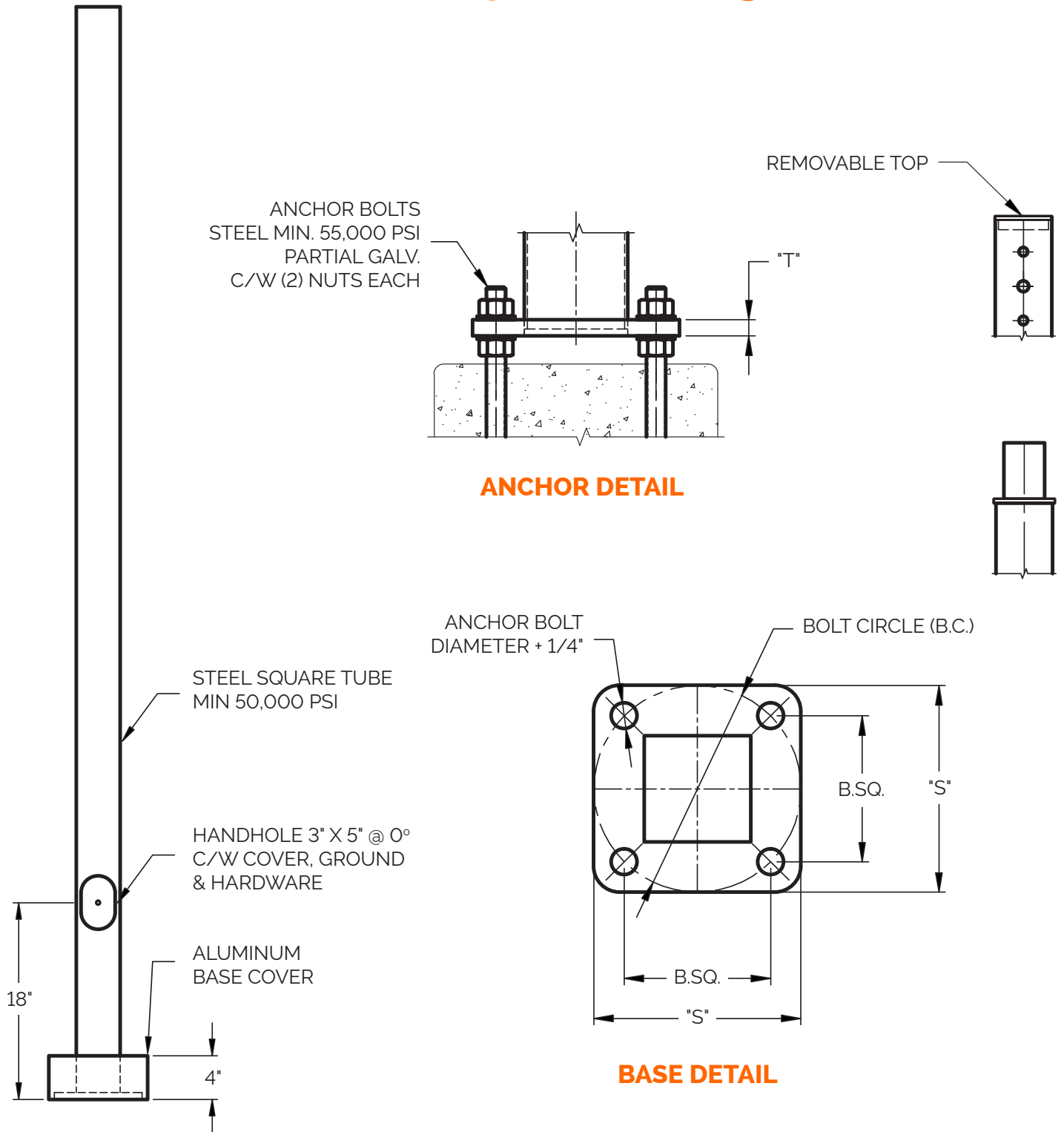




Square Straight Steel Pole





Square Straight Steel Pole

CATALOGUE #		FIXTURE INFO
PROJECT NAME		
CITY		
PREPARED BY	DATE	
COMMENTS		
		QUANTITY
		EPA (sq.ft.)
		WEIGHT (lbs)

Catalogue #	Pole Size (in)	Pole Height (ft)	Pole Weight (lbs)	Pole Type	B.C. (B.SQ.)	Base SQ. (S x T)	Anchor Bolt Size	Maximum EPA (sq.ft.)			
								80MPH	90MPH	100MPH	110MPH
SSS410LD	4	10	80	LD	8" (5.62")	8" x 3/4"	3/4" x 24"	32.0	26.0	21.0	17.0
SSS416LD	4	16	118	LD	8" (5.62")	8" x 3/4"	3/4" x 24"	20.0	15.5	12.0	9.5
SSS420LD	4	20	144	LD	8" (5.62")	8" x 3/4"	3/4" x 24"	14.0	10.5	8.0	6.0
SSS420MD	4	20	205	MD	8" (5.62")	8" x 3/4"	3/4" x 24"	22.0	17.0	13.0	10.5
SSS520LD	5	20	186	LD	11" (7.75")	12" x 1"	1" x 36"	21.0	16.0	12.5	9.5
SSS520MD	5	20	265	MD	11" (7.75")	12" x 1"	1" x 36"	36.0	28.0	22.0	17.5
SSS520HD	5	20	336	HD	11" (7.75")	12" x 1"	1" x 36"	49.0	38.0	30.0	24.0
SSS424LD	4	24	170	LD	8" (5.62")	8" x 3/4"	3/4" x 24"	10.0	7.0	5.0	3.5
SSS424MD	4	24	242	MD	8" (5.62")	8" x 3/4"	3/4" x 24"	16.5	12.0	9.0	7.0
SSS524LD	5	24	218	LD	11" (7.75")	12" x 1"	1" x 36"	15.5	11.5	8.5	6.0
SSS524MD	5	24	313	MD	11" (7.75")	12" x 1"	1" x 36"	27.5	21.0	16.0	12.5
SSS524HD	5	24	399	HD	11" (7.75")	12" x 1"	1" x 36"	37.0	29.0	22.5	18.0
SSS430MD	4	30	299	MD	8" (5.62")	8" x 3/4"	3/4" x 24"	10.0	7.0	4.5	3.0
SSS530LD	5	30	266	LD	11" (7.75")	12" x 1"	1" x 36"	9.5	6.0	3.5	2.0
SSS530MD	5	30	385	MD	11" (7.75")	12" x 1"	1" x 36"	18.5	13.5	9.5	7.0
SSS530HD	5	30	492	HD	11" (7.75")	12" x 1"	1" x 36"	26.0	19.0	14.5	11.0
SSS630MD	6	30	520	MD	12" (8.50")	12" x 1.25"	1" x 36"	19.0	13.2	9.0	6.0
SSS635MD	6	35	540	MD	12" (8.50")	12" x 1.25"	1" x 36"	12.4	7.6	4.2	2.5
SSS640MD	6	40	605	MD	12" (8.50")	12" x 1.25"	1" x 36"	7.2	3.0	-	-

Order Entry Info

POLE SPECS	MOUNTING TYPE (See Note 1)	FINISH TYPE	PC COLOUR	OPTIONS
4" 10' (LD)	TOP TENON MOUNT TT2 - 2 3/8" x 4" tenon TT3 - 2 7/8" x 4" tenon	PC - Powder Coated GALV - Galvanized GALVPC - Galvanized and Powder Coated <i>For PC or GALVPC, please select Colour from next column</i>	WHT - White BLK - Black BZ - Bronze GRY - Grey CC - Custom Colour (RAL-) <i>(Additional charges may apply)</i> N - None	<input type="checkbox"/> DUPR - 1110 Box Provision (Festoon Box) <input type="checkbox"/> DUPRGFI - 1110 Box Provision c/w 15A 120V GFI Receptacle and Weatherproof Cover <input type="checkbox"/> BCP - Type 4 Plastic Base Cover <input type="checkbox"/> BCCS - Type 4 Cast Square Base Cover <input type="checkbox"/> HHSS - Hand Hole Security System <input type="checkbox"/> FBA1 - Flower Basket Arm One Side (See Note 2) <input type="checkbox"/> FBA2 - Flower Basket Arm Dual (See Note 2) <input type="checkbox"/> BA1 - Banner Arms One Side (See Note 3) <input type="checkbox"/> BA2 - Banner Arms Dual (See Note 3) <input type="checkbox"/> AB - Anchor Bolts <input type="checkbox"/> BH - Bullhorns <input type="checkbox"/> N - None
4" 16' (LD)				
4" 20' (LD)				
4" 20' (MD)	SIDE TENON MOUNT <i>Dimensions: 2 3/8" dia. x 5" long</i> ST1 - Single Head ST2 - 2 Heads at 90° ST2B - 2 Heads at 180° ST3 - 3 Heads at 90° ST4 - 4 Heads at 90°			
5" 20' (LD)				
5" 20' (MD)				
5" 20' (HD)	DRILL PATTERN DP1 - Single Head DP2 - 2 Heads at 90° DP2B - 2 Heads at 180° DP3 - 3 Heads at 90° DP4 - 4 Heads at 90°			
4" 24' (LD)				
4" 24' (MD)				
5" 24' (LD)	N - None			
5" 24' (MD)				
5" 24' (HD)				
4" 30' (MD)				
5" 30' (LD)				
5" 30' (MD)				
5" 30' (HD)				
6" 30' (MD)				
6" 35' (MD)				
6" 40' (HD)				
Pole Specs	Mounting	Finish Type	PC Colour	Options
SSS				

Pole Type: LD = 0.125", MD = 0.188", HD = 0.250"

Sample Catalogue #: SSS520MD-ST1-GALVPC-BLK-HHSS-BA1

Note 1: Please provide fixture cutsheet.

Note 2: Please provide basket weight, arm length and mounting height.

Note 3: Please provide banner size and mounting height.

Reset Order Entry Form