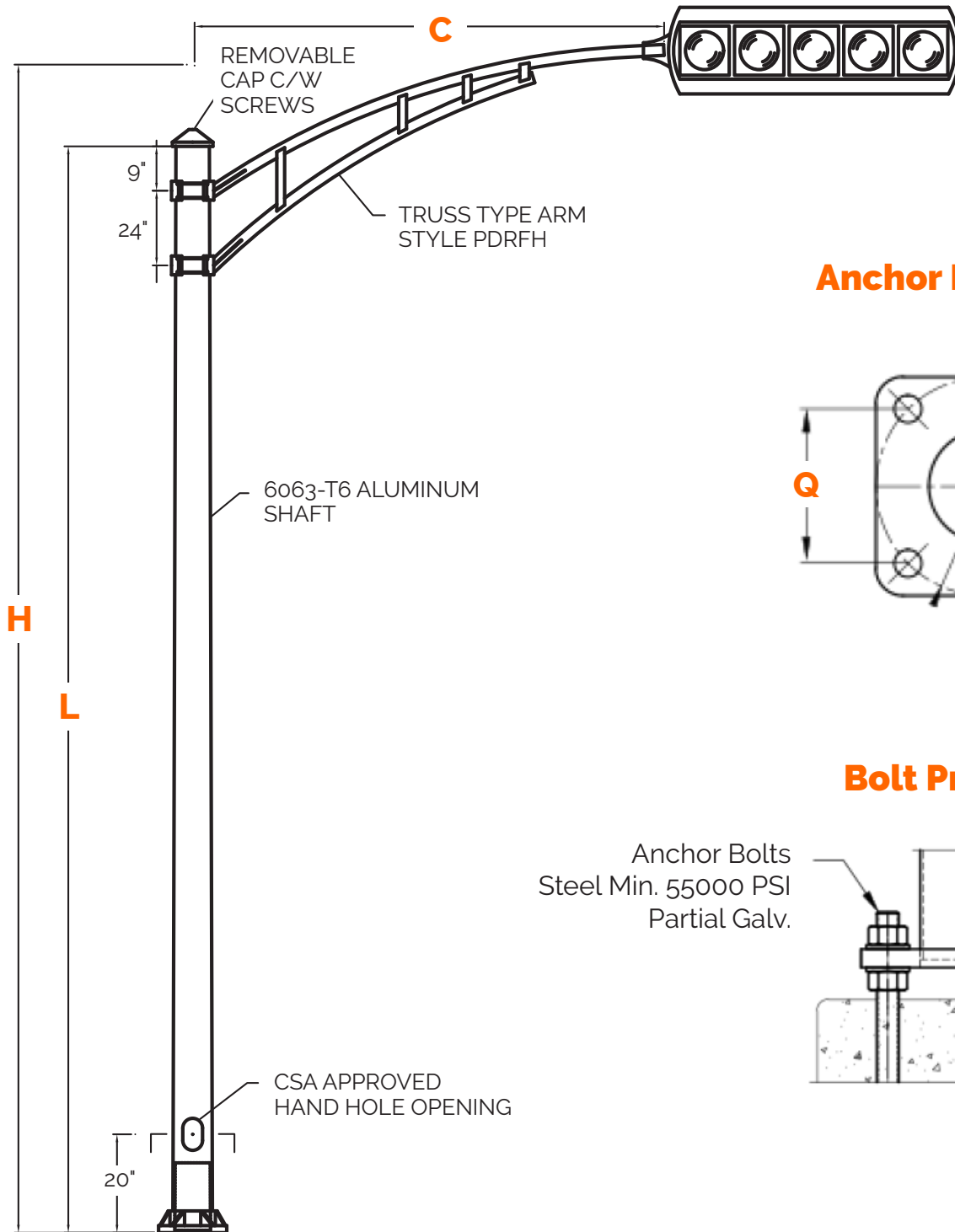
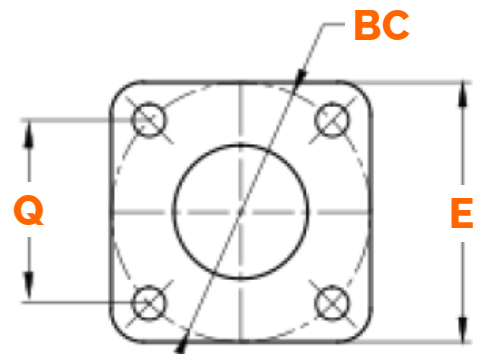




# Horizontal Traffic Style (FC)



## Anchor Base Detail



## Bolt Projection

