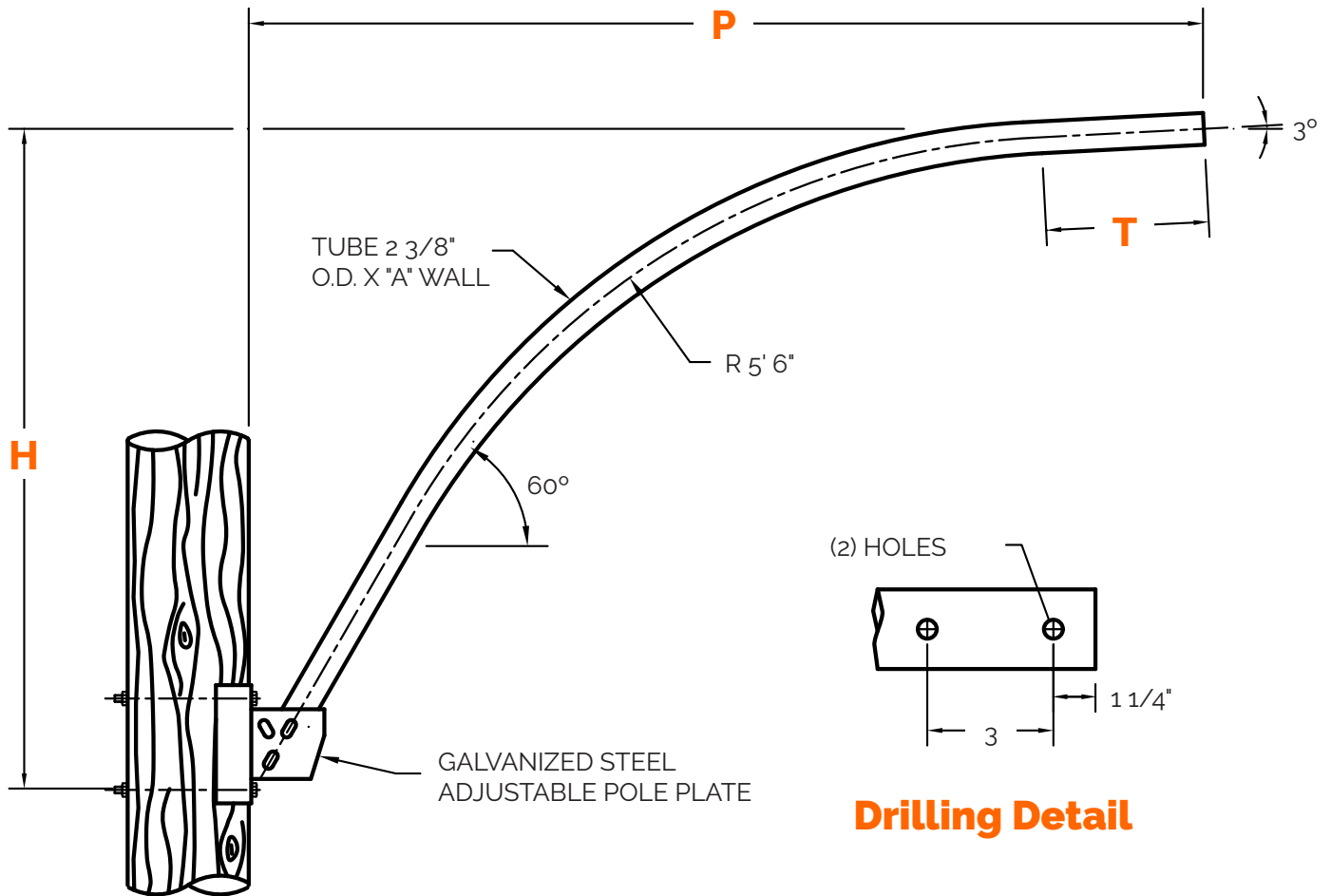




Wooden Pole Bracket Upsweep (ALWPB)



MODEL	MATERIAL	P	H	T	A
ALWPB841806	Aluminum	6' 0"	3' 0"	11"	0.154"
ALWPB841808	Aluminum	8' 0"	5' 0"	22"	0.154"
SWPB841806	Galvanized Steel	6' 0"	3' 0"	11"	0.120"
SWPB841808	Galvanized Steel	8' 0"	5' 0"	22"	0.120"